

Part Number: 08380-35802

Section I – Installation Preparation

Kit Contents

Item #	Quantity Req'd.	Description
1	1	Right Side Rail
2	1	Left Side Rail
3	1	End Cushion (Front RH)
4	1	End Cushion (Rear RH)
5	1	End Cushion (Front LH)
6	1	End Cushion (Rear LH)
7	2	Cross Bar
8	1	End Support Cover (Front RH)
9	1	End Support Cover (Rear RH)
10	1	End Support Cover (Front LH)
11	1	End Support Cover (Rear LH)

Hardware Bag Contents

Item #	Quantity Req'd.	Description
1	8	M8 bolt (corner clamping part)
2	1	DIO Installation Manual

Additional Items Required for Installation

Item #	Quantity Req'd.	Description
1		
2		
3		

Conflicts

Note:

Recommended Tools

Safety Tools	
Safety glasses	
Vehicle protection	Masking tape (1/2" to 1")
Special Tools	
None	
Installation Tools	
Socket	12 mm (M8)
Torx socket	TX-25
Torque wrench	
Screwdriver	Thin blade
Cloth	Lint-free
Special Chemicals	
Cleaner	3M™ Prep Solvent-70

General Applicability






--

Recommended Sequence of Application

Item #	Accessory	
1		
2		
3		

*Mandatory

Legend

	STOP: Damage to the vehicle may occur. Do not proceed until process has been complied with.
	OPERATOR SAFETY: Use caution to avoid risk of injury.
	CRITICAL PROCESS: Proceed with caution to ensure a quality installation.
	GENERAL PROCESS: This highlights specific processes to ensure a quality installation.
	TOOLS & EQUIPMENT: Calls out the specific tools and equipment recommended for this process.

Section II – Installation Procedure

A. Installation Preparations

1. For ease of installation, the temperature of the work location and the surface of the body must be at least 60° F (15.5° C).

B. Preparing the Body

1. Clear dust and dirt from the roof of the vehicle with 3M™ Prep Solvent-70.



- i. When cleaning with 3M™ Prep Solvent-70 follow the manufacturer's directions. Do not allow cleaner to air dry.

C. Removal of Molding Joint Cover and Bracket

1. To install the side rails the front and rear molding joint covers on both sides must be removed. (Fig. C-1)



2. When removing the molding joint covers, to prevent vehicle body damage, apply protective tape (masking tape) to both ends of the grooved moldings and to both sides of the factory molding joint groove. (Fig. C-1)



3. Remove the molding joint cover by pushing the molding joint cover in the direction of the arrow molded into the cover with your finger Fig. C-2 ①.



4. Disengage the cover from the interlocking back clip by lightly pulling up (Fig. C-2) ②, push the molding joint cover in the opposite direction ③ and remove the cover.



5. Using a 12mm socket, remove and discard the eight M8 bolts. (Fig. C-3)



6. Remove the bracket. In the event that the bracket will not come off, use a thin slotted screwdriver to assist with removal. (Fig. C-4)

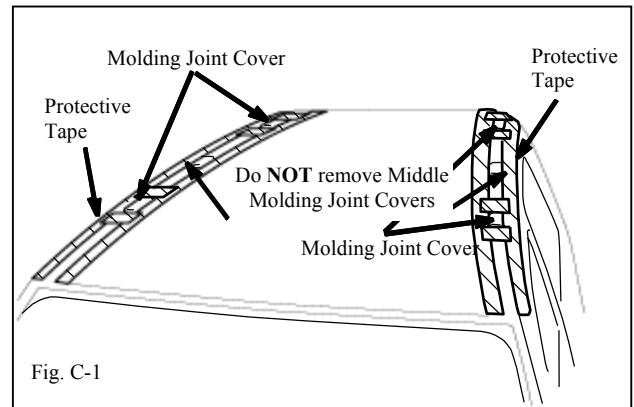


Fig. C-1

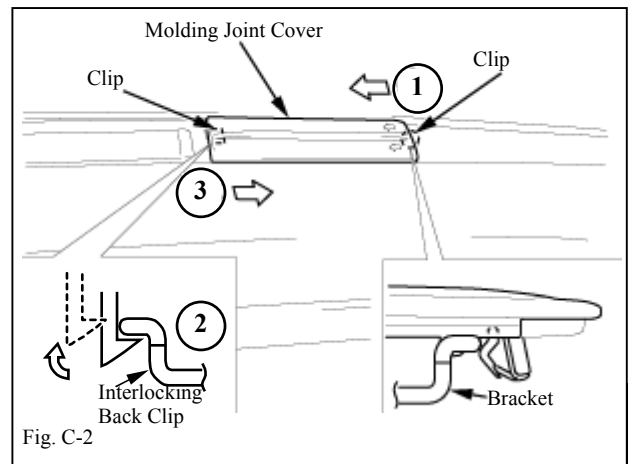


Fig. C-2

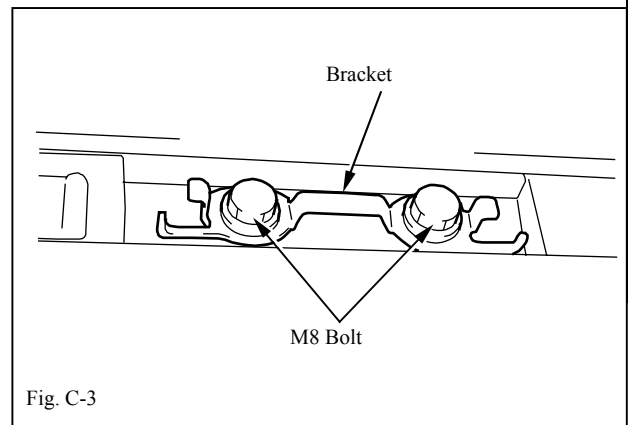


Fig. C-3

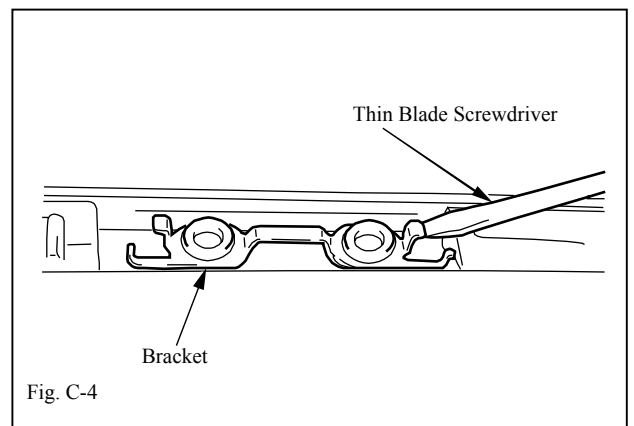
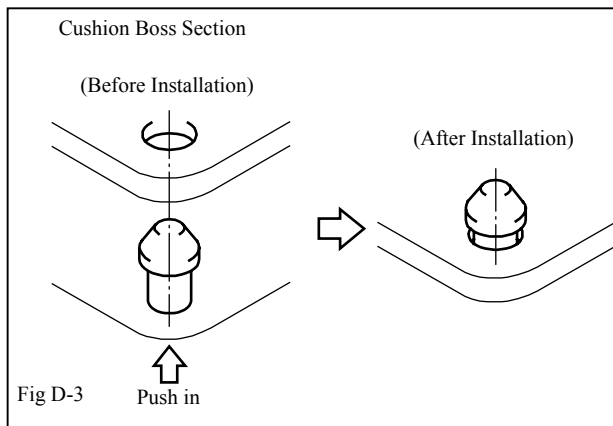
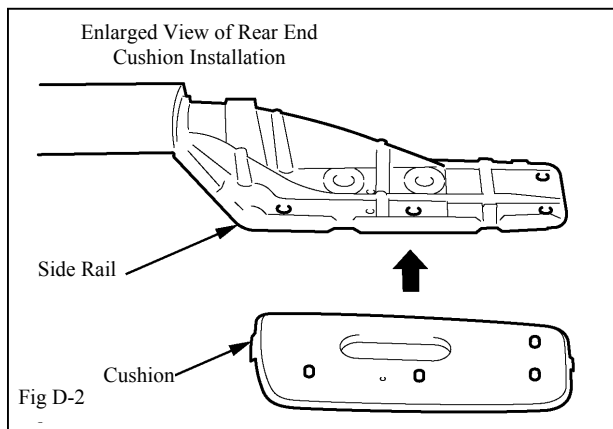
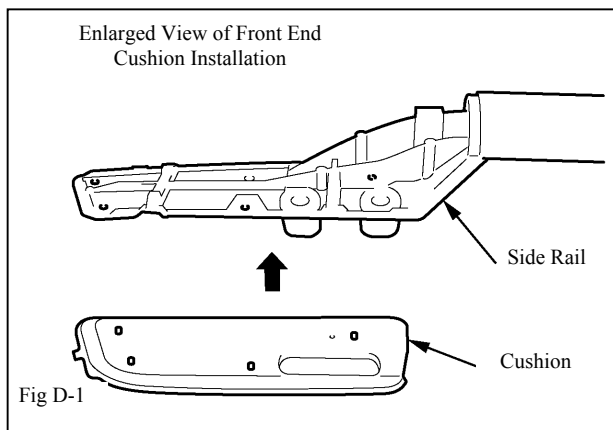
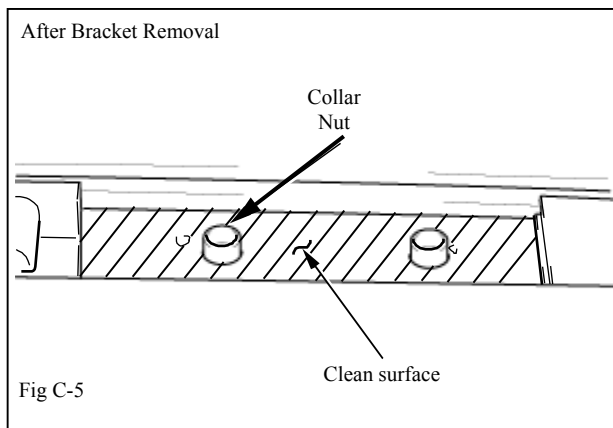


Fig. C-4

- ➔ 7. Once you have removed the bracket, peel off the protective tape (masking tape).
- 8. Do not remove the molding. In the event that it does come off, reattach it in the same position.
- ➔ 9. Completely remove any dry screw seals, paint chips, or dirt, to retain the integrity of the seal. (Fig. C-5)

D. Checking Cushion Fitting

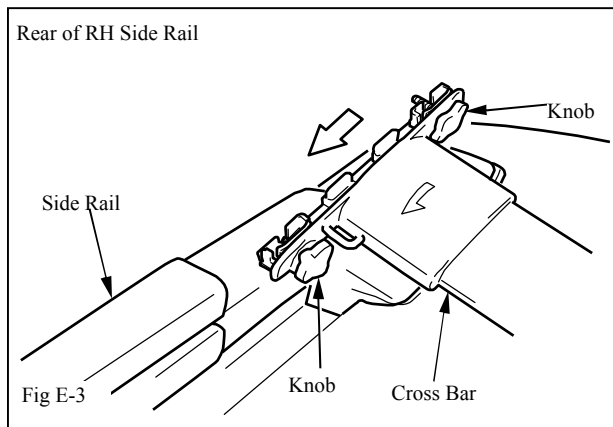
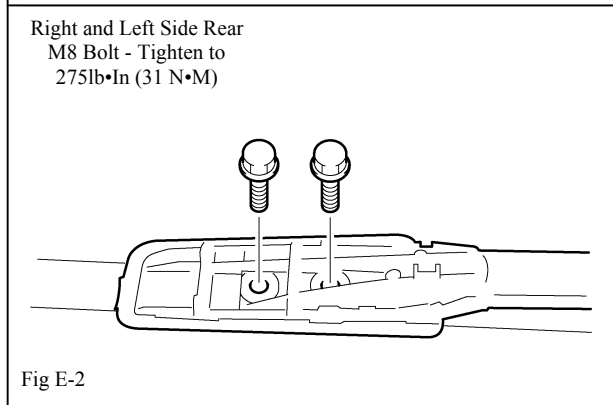
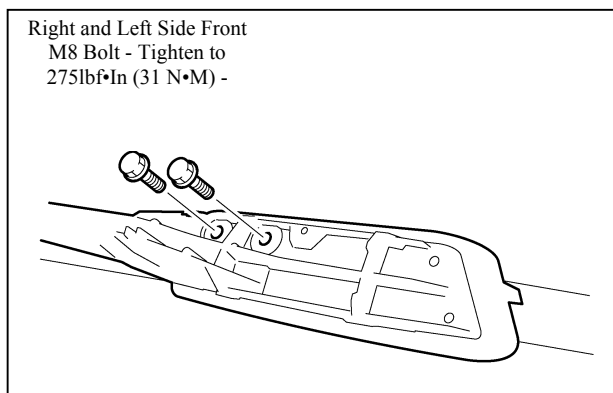
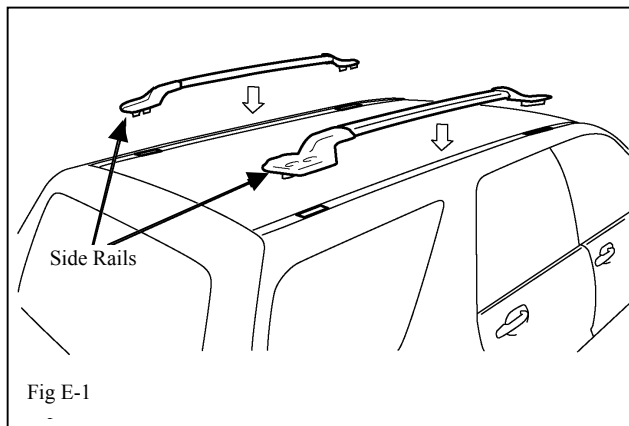
- 1. Make sure that the holes of the front end support of the side rails match the protruding part of the front end cushion. (Fig. D-1)
- 2. Make sure that the holes of the rear end supports of the side rails match the protruding part of the rear end cushion. (Fig. D-2)
- ➔ 3. Match the three (3) front end and two (2) rear end locations of the boss of the cushions to the holes of the end supports. Install the cushions as shown in Fig. D-3.



E. Assemble the Roof Rack

- STOP 1. Carefully place each side rail onto the roof, ensuring that the support parts at the ends coincide with the holes in both ends of the molding. (Fig. E-1)
2. To prevent any damage to the body, have an assistant help you when placing the side rails.
- ➔ 3. Make sure that the M8 bolt holes of the end supports match the collar nut position of the vehicle body. (Fig. E-2)
 - i. When aligning the positions, adjust by lifting up the end supports. Do not slide the rails for alignment.

NOTE: When adjusting the side rail positions be careful not to get the cushion caught in the track.
- ➔ 4. Attach the end supports to the front end using M8 bolts (each side has four locations).
- ! 5. Tighten the end support bolts (M8 bolts) to a torque of 275 lbf•in (31 N•m).
- ➔ 6. Insert the front and rear cross bars from the rear of the vehicle into the left and right side rails.
 - i. STOP Check the orientation of the cross bar. If the arrow stamped at the end of the cross bar is facing the front of the vehicle, the orientation is correct. (Fig. E-3)



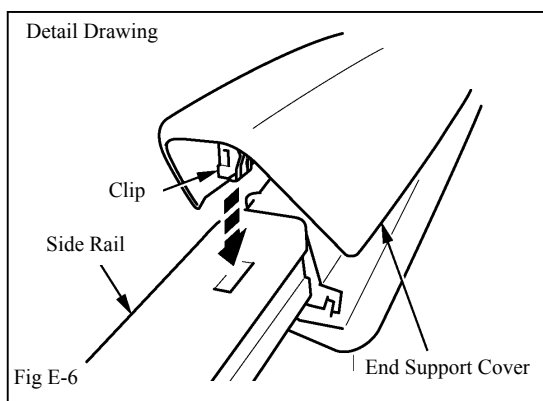
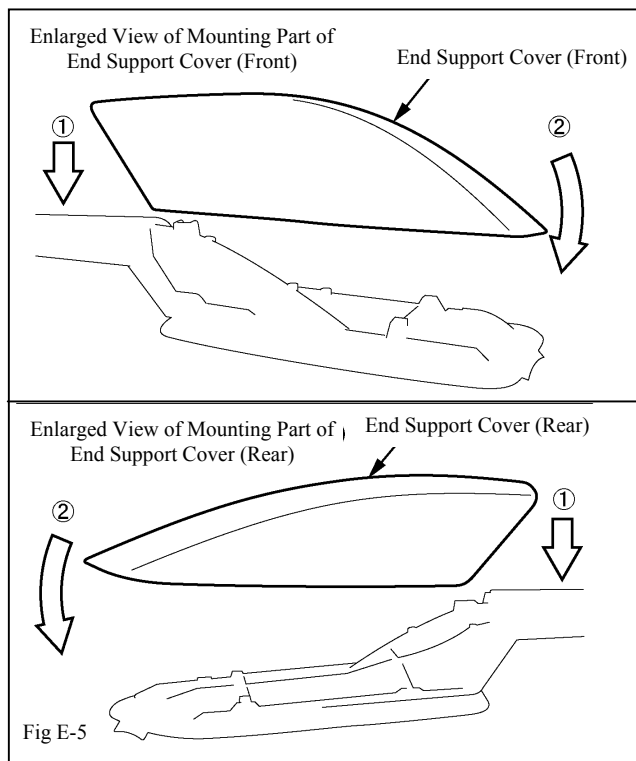
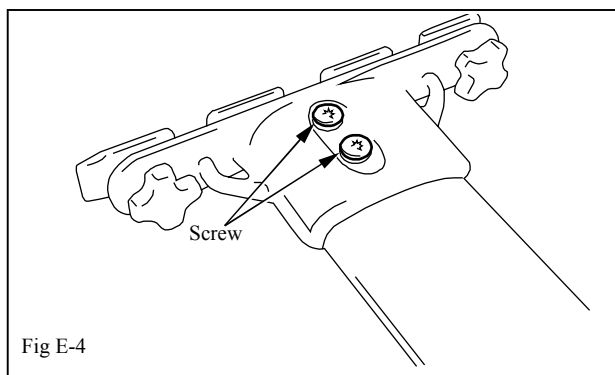
7. In the event that the cross bar will not fit, loosen the bottom left (driver's side) screws (TX-25) on the crossbar side and adjust to appropriate width. After it has been adjusted and tightened to at 22 lbf•in (2.5 N•m), reinsert the side rail. (Fig. E-4)

8. Tighten the knob by hand at any position.

9. Insert the clip ① at the end of the support cover, into the hole in the side rail, and leaving the clip inserted, gently push in the cover ② until it is firmly in position. (Fig. E-5)

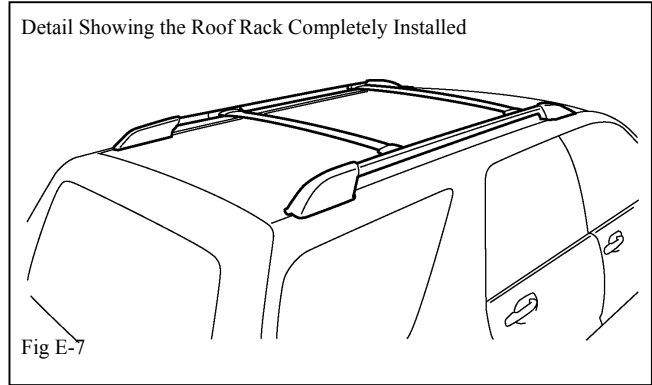
i. Ensure that clip is firmly located into side rail. Fig E-6.

10. Make sure the entire support cover has been fastened completely.





11. Once installation is complete, confirm that there is no dirt, dry screw seals or paper washers remaining on the roof. (Fig E-7)



Section III – Functional Verifications

Check: _____

Support covers

Look For: _____

Confirm that all four support covers are completely fitted into the corner support parts at the specified positions and are facing the correct direction.